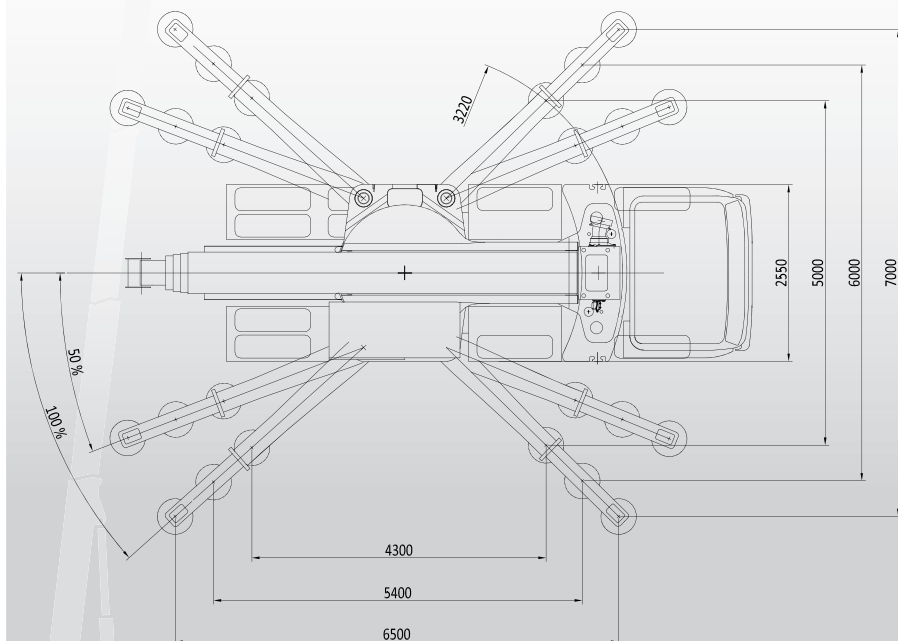
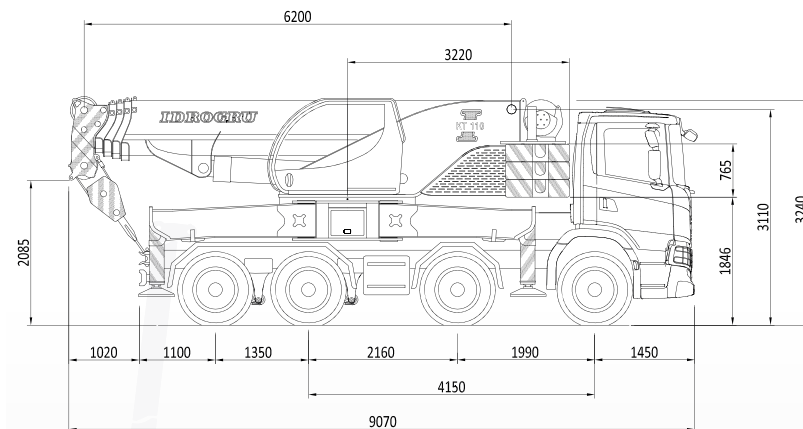
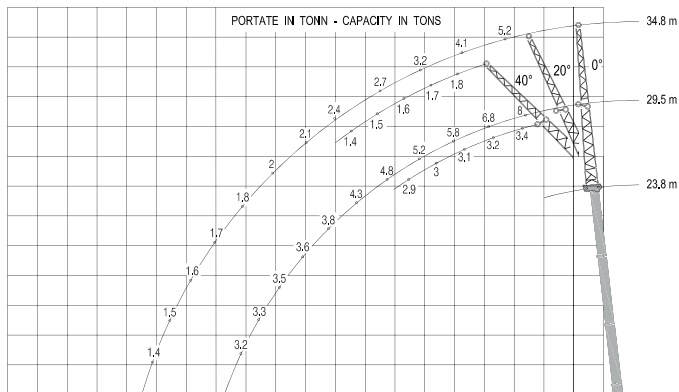


OPTIONAL EQUIPMENT: Reclinable trellis jib 5.7 / 11 m



Divisible counterweight with automatic unloading

- 3 t
- 6 t
- 9 t

1,5 meters hook or pulley for reclinable boom head

- 16 t Hook on head 45°
- 16 t Number 1 pulley on head 45°

Three position reclinable boom head

- 70 t Head at 0°
- 40 t Head at 45°
- 40 t Head at 90°

Hook blocks of various capacities

- 70 t Number 4 pulleys
- 40 t Number 2 pulleys
- 16 t Number 1 pulley

Primary winch

- rope d.20 - rope pull 8,35 t
- volume per revolution (cm³) 140 (max) - 70 (min)
- max line pull at 1st layer (m/min) 45 - 90
- max line pull at last layer (m/min) 64 - 129

3 meters trellis jib

- 10 t

Double winch

- rope d.18 - rope pull 6,7 t
- rope d.14 - rope pull 4 t
- volume per revolution (cm³) 63 140 (max) - 93 (min)
- max line pull at 1st layer (m/min) 97 70,1 - 105,5
- max line pull at last layer (m/min) 141,9 99,9 - 150,4

3,7 meters lift spreader beams

- 60 t

0,5 meters hook for reclinable boom head

- 32 t Hook on head 45°

The lifting capacities in the structural area are based on DIN 15018 part 3 / FEM 5.004 / EN 13000.
The lifting capacities in the stability area are based on DIN 15019 part 2 / ISO 4305 / EN 13000

