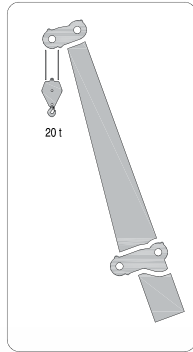
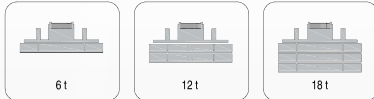


## OPTIONAL EQUIPMENT:

5 meters jib



Divisible counterweight with automatic unloading



1,5 meters hook or pulley for reclinable boom head



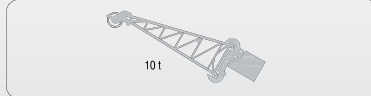
Hook blocks of various capacities



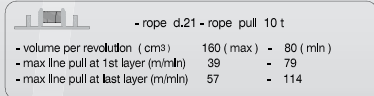
Three position reclinable boom head



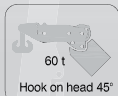
3 meters trellis jib



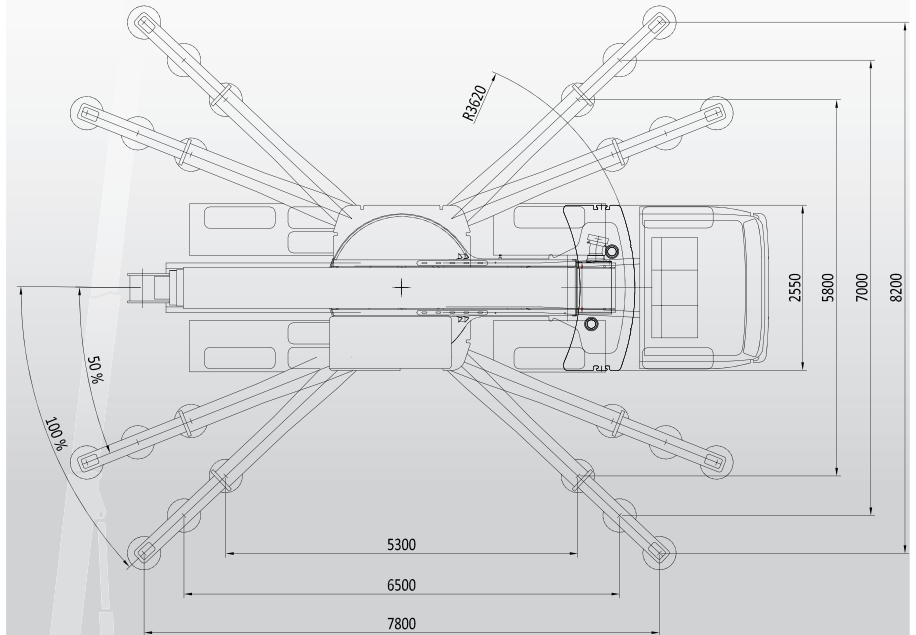
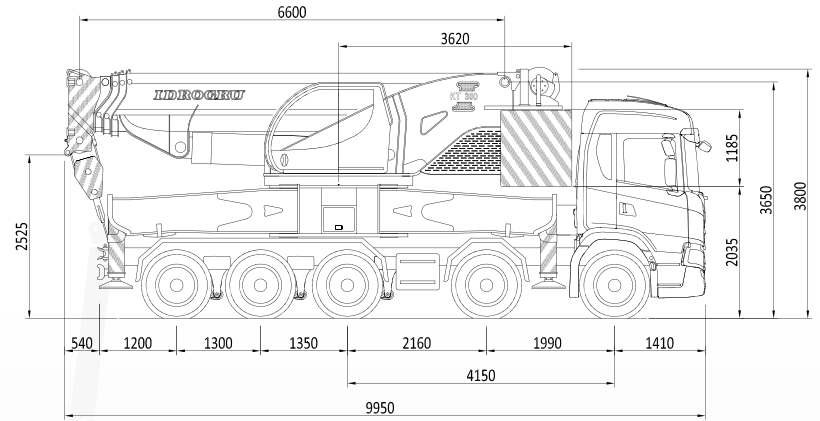
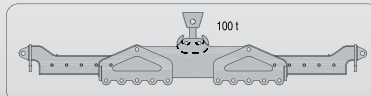
Primary winch



0,5 meters hook for reclinable boom head



5,5 meters lift spreader beams



The lifting capacities in the structural area are based on DIN 15018 part 3 / FEM 5.004 / EN 13000.  
The lifting capacities in the stability area are based on DIN 15019 part 2 / ISO 4305 / EN 13000

