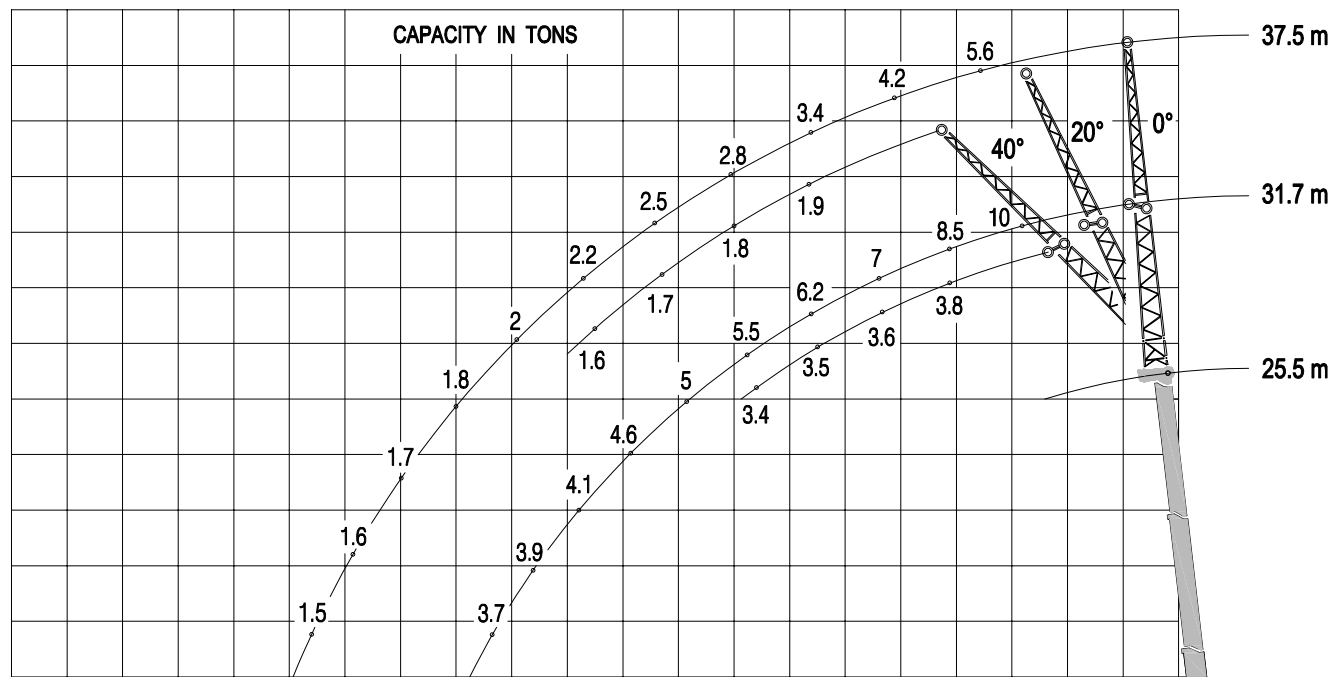
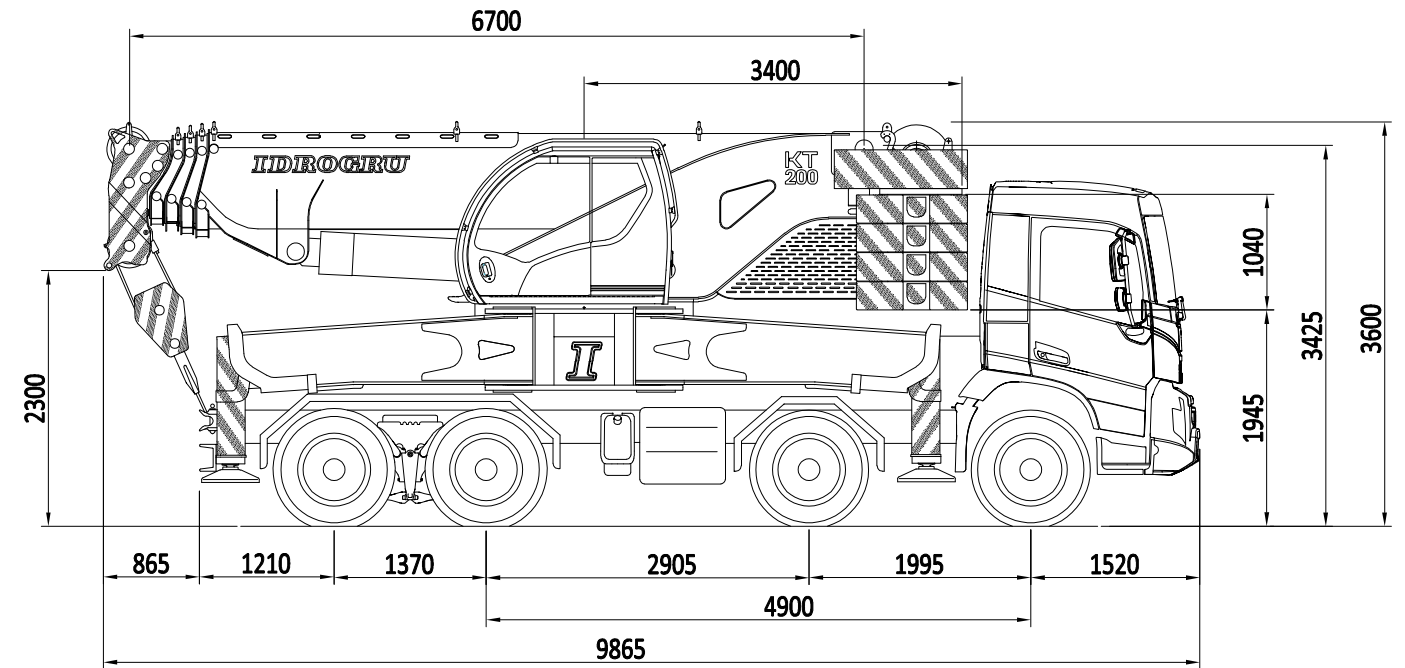


Optional equipment: Reclinable trellis jib 6.2 / 12 m

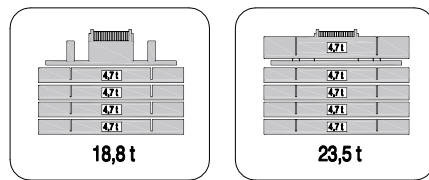
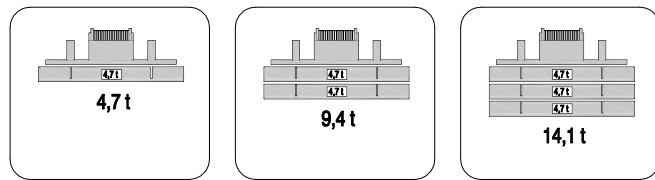


**IDROGRU**  
CRANE

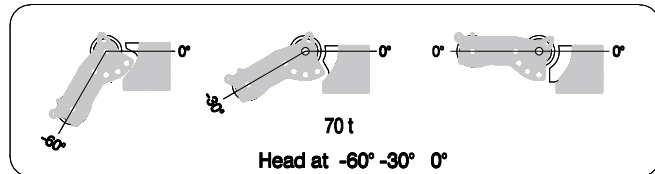
KT 200.29



Divisible counterweight with automatic unloading



Three position reclinable boom head



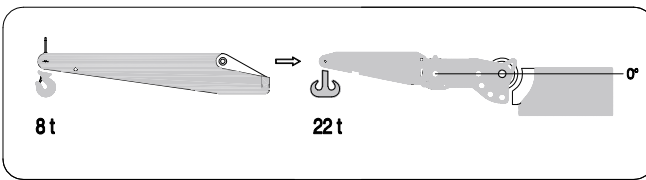
Primary winch

- rope d.20 - rope pull 8,35 t
- volume per revolution (cm<sup>3</sup>) 140 (max) - 70 (min)
- max line pull at 1st layer (m/min) 45 - 90
- max line pull at last layer (m/min) 64 - 129

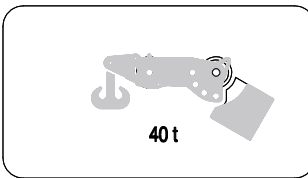
Double winch

- rope d.18 - rope pull 6,7 t
- rope d.14 - rope pull 4 t
- volume per revolution (cm<sup>3</sup>) 63 140 (max) - 93 (min)
- max line pull at 1st layer (m/min) 97 70.1 - 105.5
- max line pull at last layer (m/min) 141.9 99.9 - 150,4

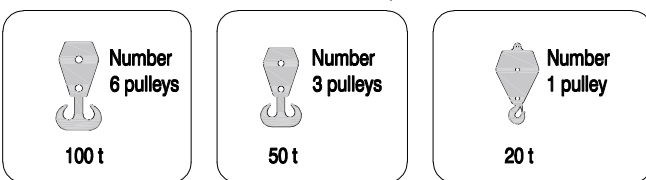
1,5 meters mechanic jib (for hook or pulley) with an extension of 1,5 meters.



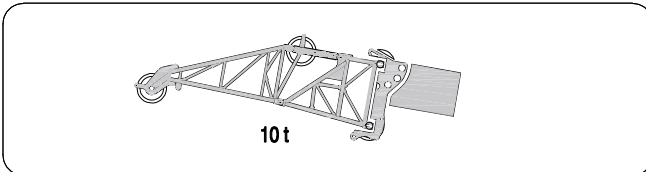
0,5 meters hook for reclinable boom head at -60° -30° 0°



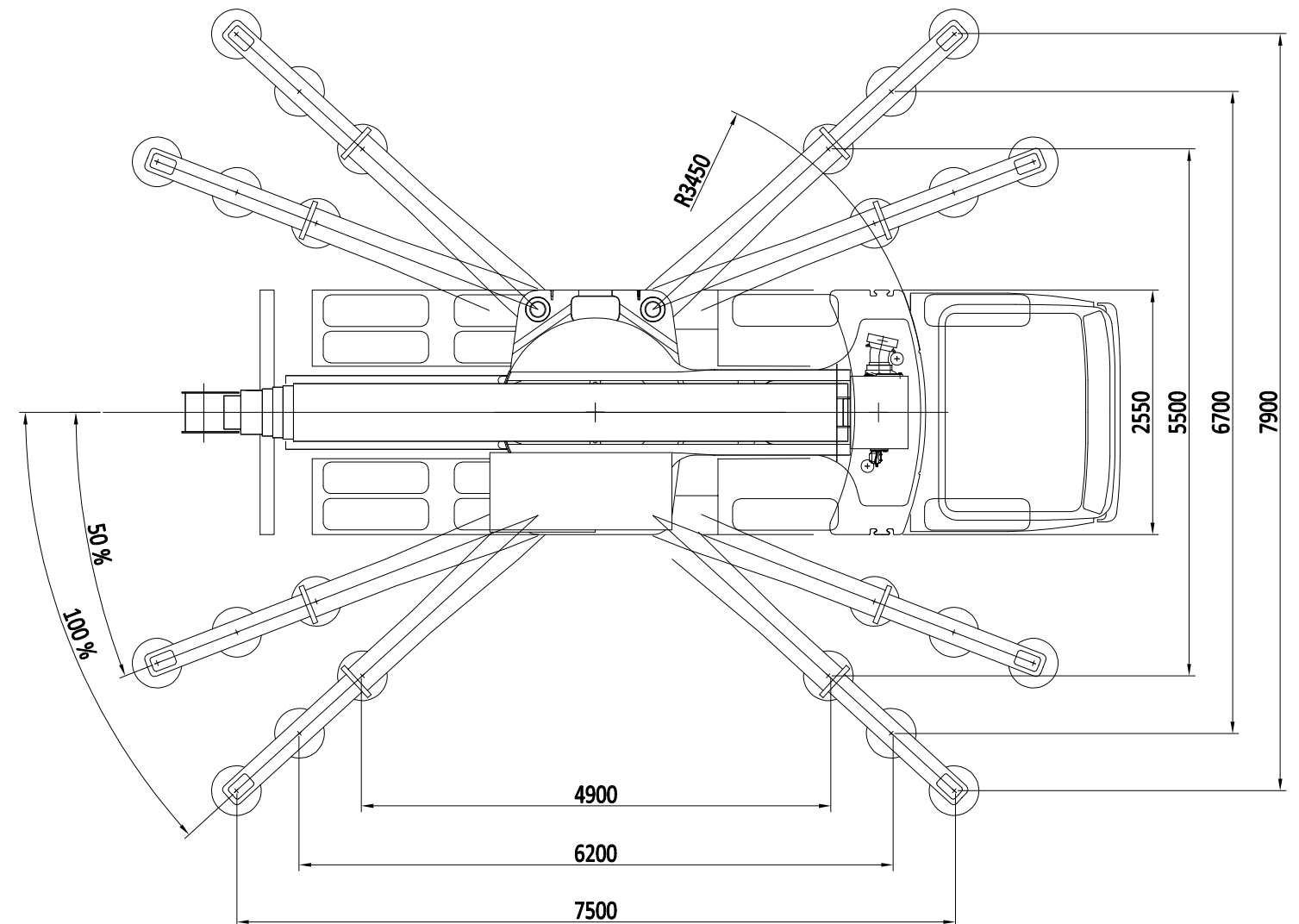
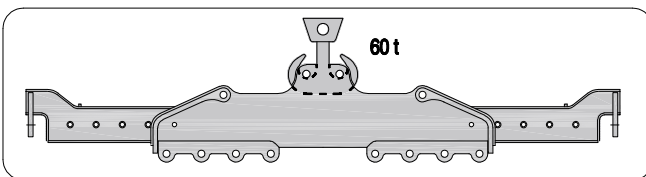
Hook blocks of various capacities

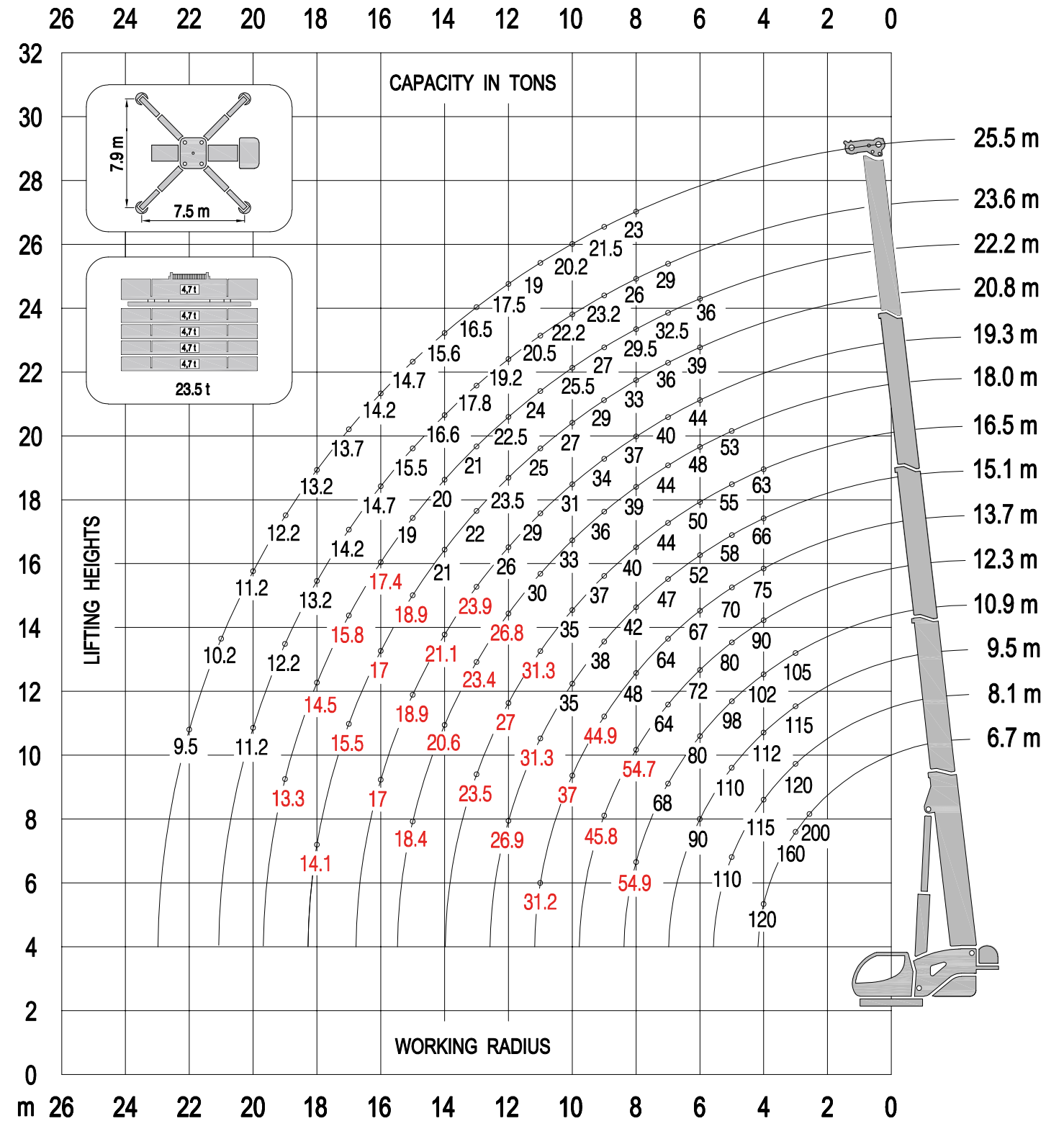
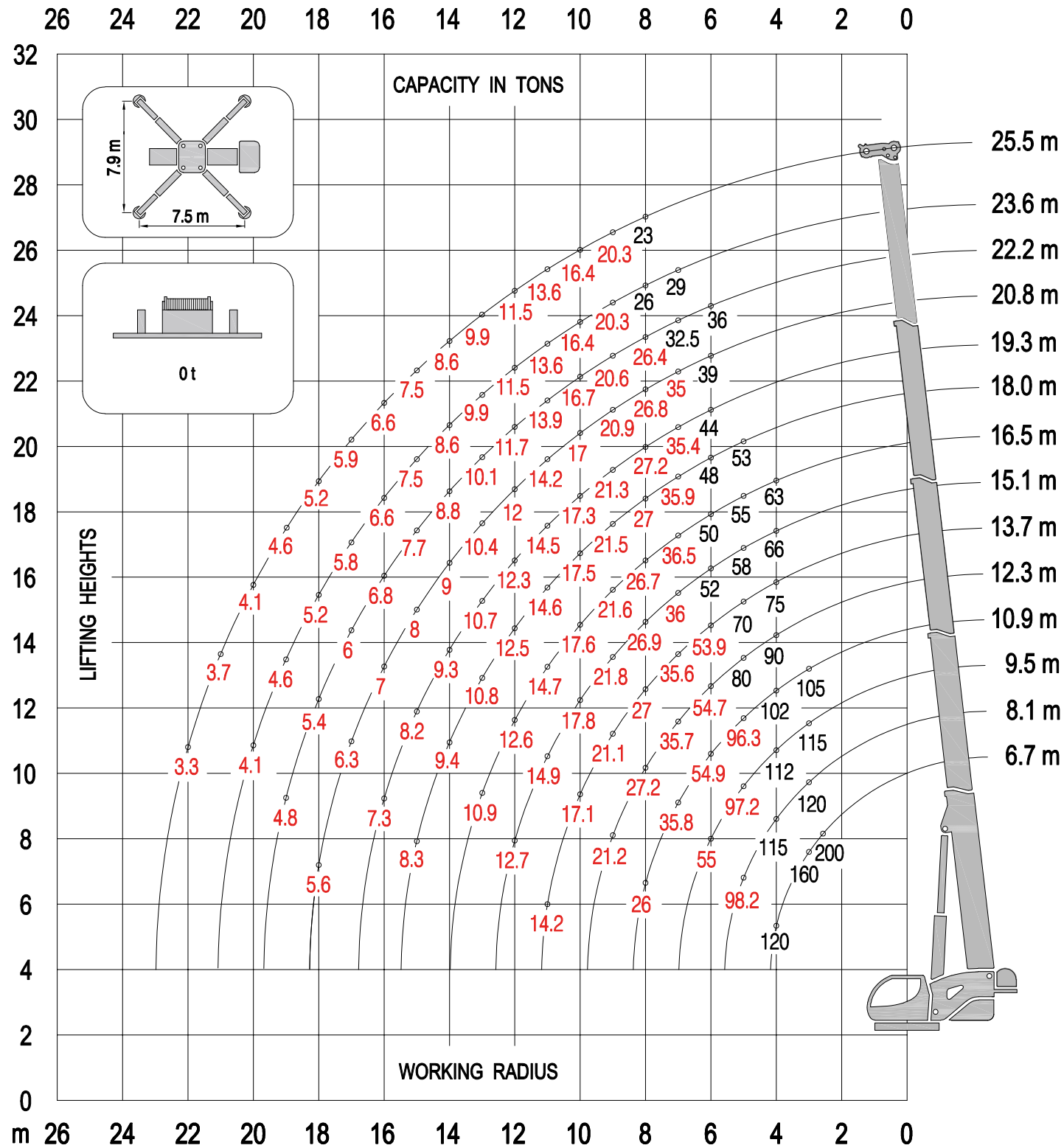


3 meters trellis jib



3,7 meters lift spreader beams





**Max Payload:** 100 t

The lifting capacities in the structural area are based on DIN 15018 part 3 / FEM 5.004 / EN 13000.  
The lifting capacities in the stability area are based on DIN 15019 part 2 / ISO 4305 / EN 13000.